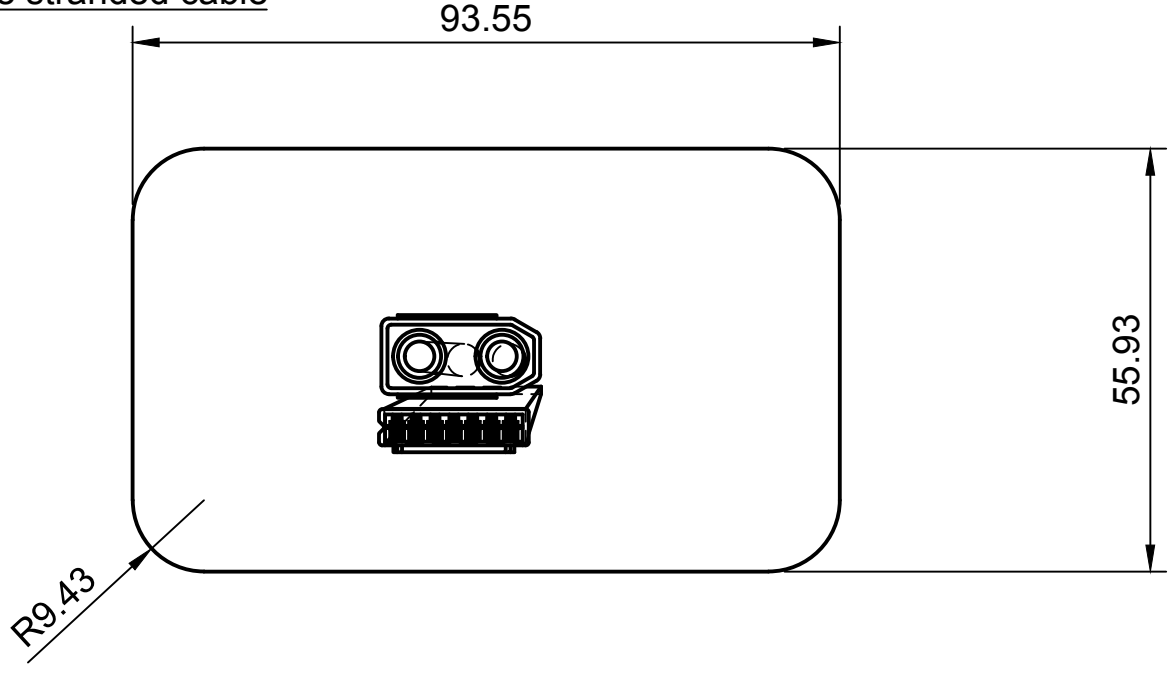
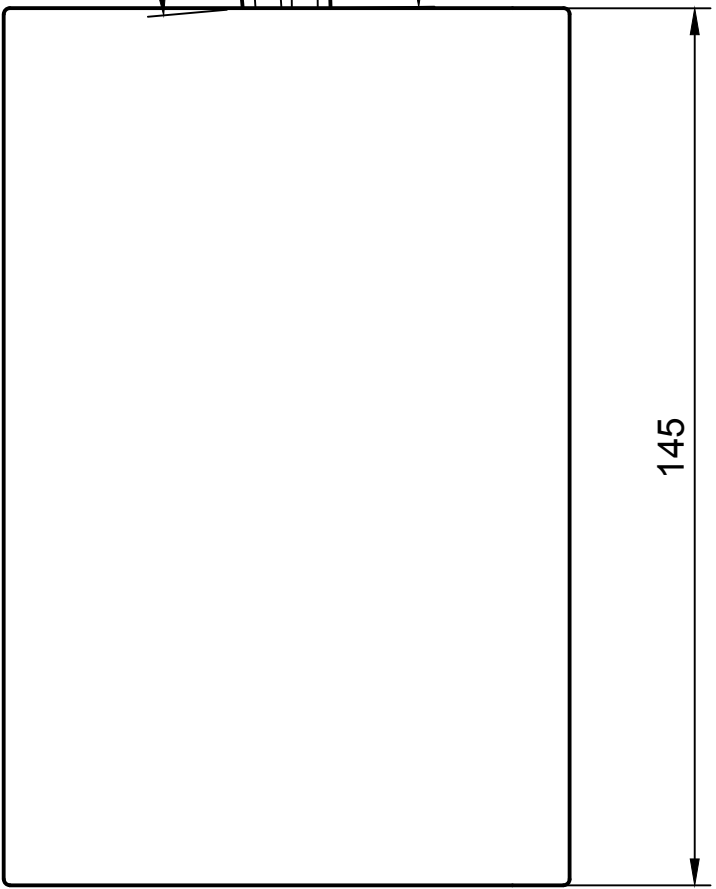
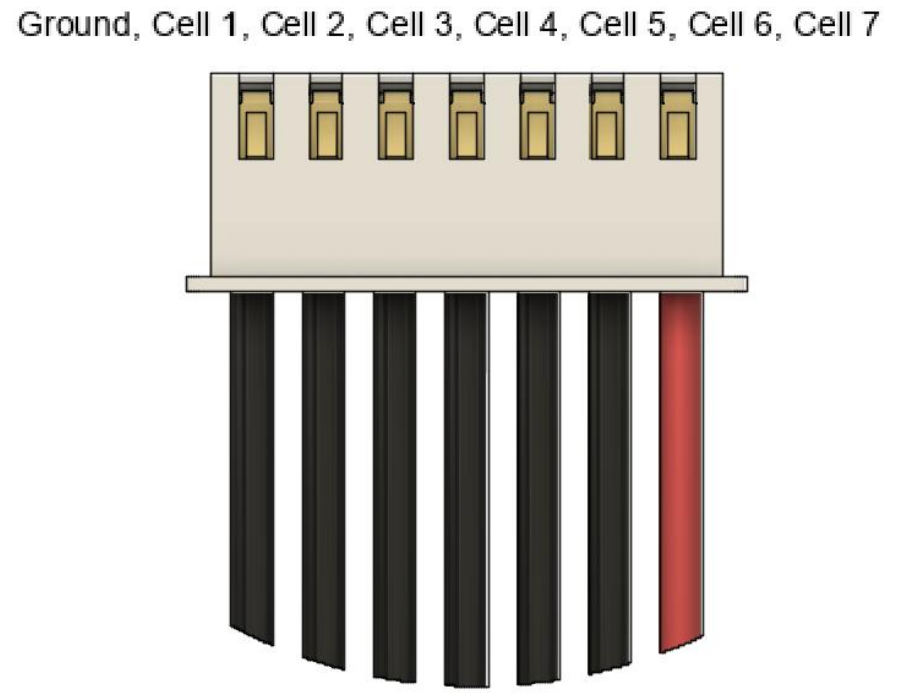
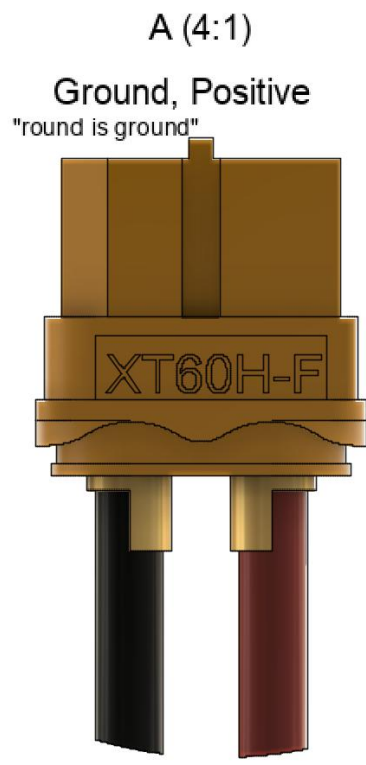
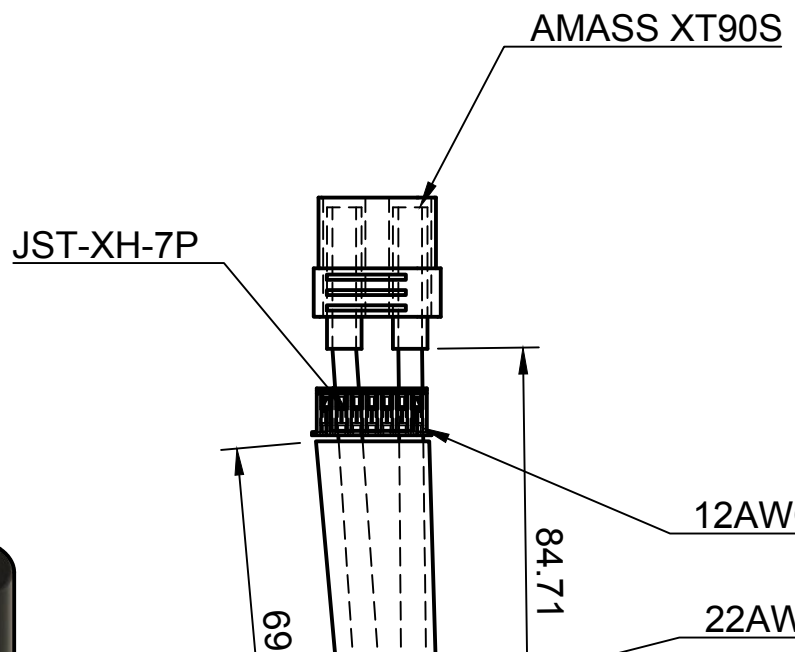


1 2 3 4 5 6 7 8

A
B
C
D
E
F



Dept.	Technical reference	Created by Matthew Barnard 3/16/24	Approved by
		Document type	Document status
		Title 6s4p 18650 Amprius	DWG No.
Rev.	Date of issue	Sheet 1/1	

1 2 3 4 5 6 7 8